

TRUE-Rule TECHNOLOGY

INTRODUCING TRUE-RULE TECHNOLOGY, A NEW PRODUCT INNOVATION FROM TELLING INDUSTRIES

US PATENT 11,002,011

Market Need:

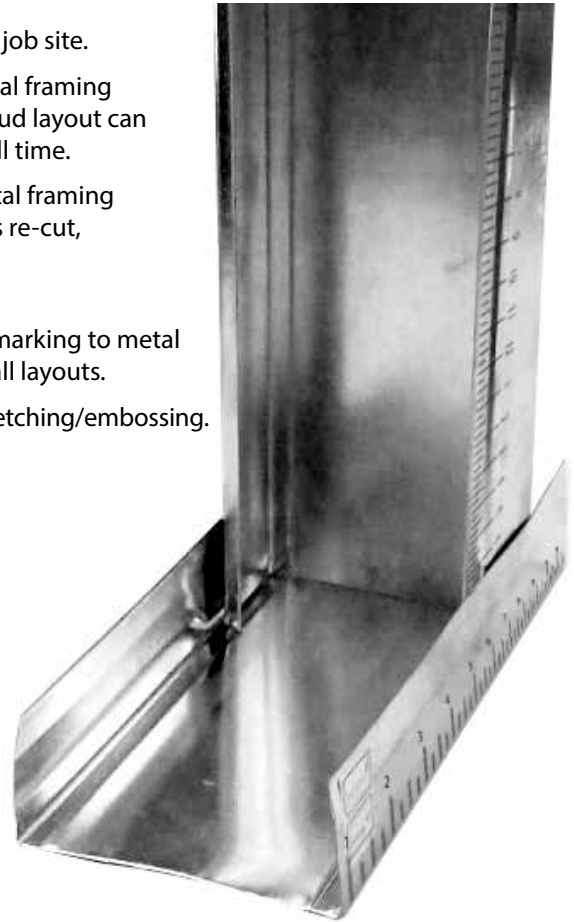
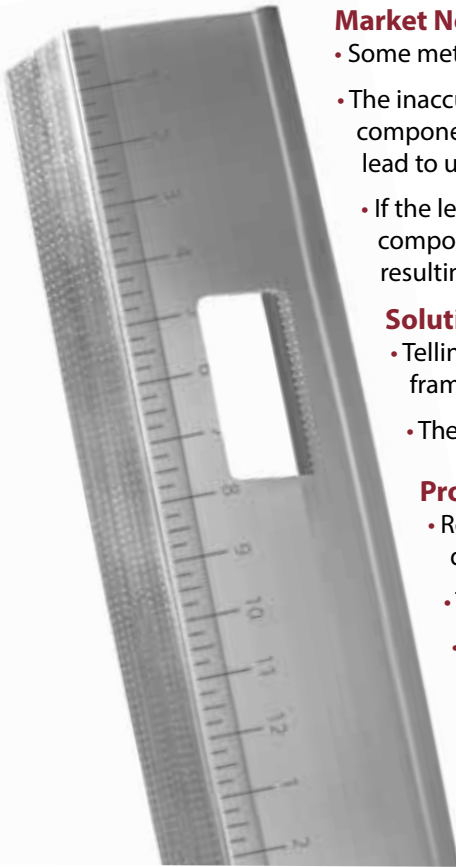
- Some metal framing must be custom cut to length at the job site.
- The inaccuracy of stretching a tape measure across a metal framing component, marking it, then field cutting or track and stud layout can lead to undesirable length variation and increased install time.
- If the length variation is too excessive, the field cut metal framing components may need to be scrapped and new pieces re-cut, resulting in higher material costs.

Solution:

- Telling has a patent pending invention to add ruler marking to metal framing stud & track to simplify field cutting and wall layouts.
- The ruler markings will be permanently applied via etching/embossing.

Product Info:

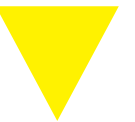
- Readily available on 30mil & 33mil traditional drywall studs at no upcharge.
- The marking will be in ¼", ½" & 1" increments.
- Available upon request for 18ga & 16ga studs for a modest upcharge.
- Standard: 2ft of etched ruler marking.
- Upon request: etch entire length of stud for a modest upcharge.
- Track is coming soon!



NO MORE MEASURING TAPE! TRUE-RULE TECHNOLOGY MAKES CUTTING STUD AND TRACK A BREEZE!



SEE
THE
VIDEO



Innovative, Responsive Solutions for All Your Metal Framing Needs

www.buildstrong.com • 1-866-372-6384

