

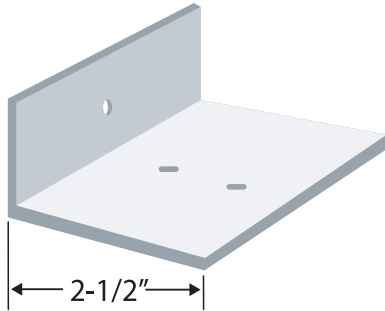


BUILDSTRONG

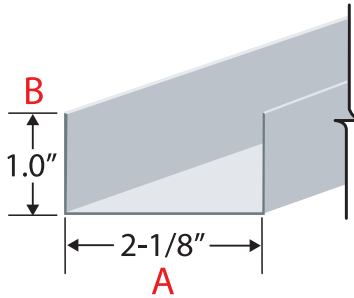
# PRODUCT DATA: AREA SEPARATION WALL

Area Separation Wall assemblies are designed for use in multi-family, multi-story townhouses as a firewall with a total height up to 50 feet. Because it is constructed using gypsum board, the assembly is easy to erect and secure, meets all building code requirements, and provides economical fire protection and sound control.

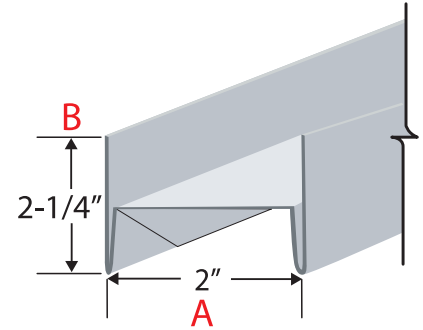
## Aluminum Angle Clip



## C-Track, Cap, Edge or End Closure



## H-Stud, 25-Gauge



### C Track Product Offering

Section	Web (A) inches	Leg (B) inches	Coatings
213ASW-AST100-18	2.125"	1.0"	G40 standard. G60 & G90 with upcharge

### Track Sectional Properties

Section	Design Thickness (in)	Min Base Steel Thickness (in)	Fy Yield Stress (ksi)	Weight (lb/ft)	Cross Sectional Area (in <sup>2</sup> )	Moment of Inertia about X-X axis Ixx (in <sup>4</sup> )	Radius of Gyration Rx (in)	Moment of Inertia about Y-Y axis Iyy (in <sup>4</sup> )	Radius of Gyration Ry (in)
213ASW-AST100-18	0.0188"	0.0179"	33	0.26	0.075	0.054	0.847	0.008	0.319

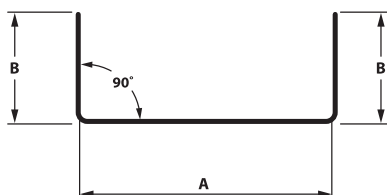
### H Stud Product Offering

Section	Web (A) inches	Flange (B) inches	Coatings
200ASW-HS200	2.0"	2.25"	G40 standard. G60 & G90 with upcharge

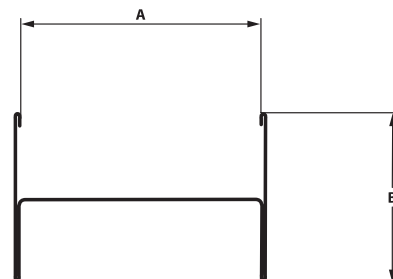
### H Stud Sectional Properties

Section	Design Thickness (in)	Min Base Steel Thickness (in)	Fy Yield Stress (ksi)	Weight (lb/ft)	Cross Sectional Area (in <sup>2</sup> )	Moment of Inertia about X-X axis Ixx (in <sup>4</sup> )	Radius of Gyration Rx (in)	Moment of Inertia about Y-Y axis Iyy (in <sup>4</sup> )	Radius of Gyration Ry (in)
200ASW-HS200	0.0188"	0.0179"	33	0.70	0.205	0.185	0.952	0.118	0.760

### C Track



### H Stud



www.buildstrong.com  
1-866-372-6384

For more information, please contact Telling Industries Technical Services at 1-866-372-6384.